



CLASSIC COLLECTION - SOUTHPORT



AN UNCOMMON LUXURY THAT
OUTLASTS AND OUTSHINES ANY
ORDINARY SPA

**CLASSIC COLLECTION
SOUTHPORT 84" X 66.5"**



Bradford's Classic Collection of residential stainless steel spas arrive from our facility with all appropriate equipment. We provide frame-mounted equipment within the durable stainless steel frame. In-ground, recessed or on-grade final installations of a Bradford spa will require accessibility to the shell plumbing for the user. All electrical and plumbing must be performed by licensed trade contractors.

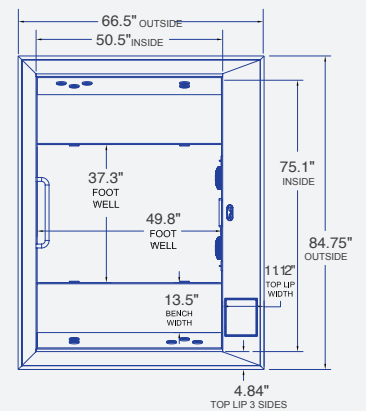
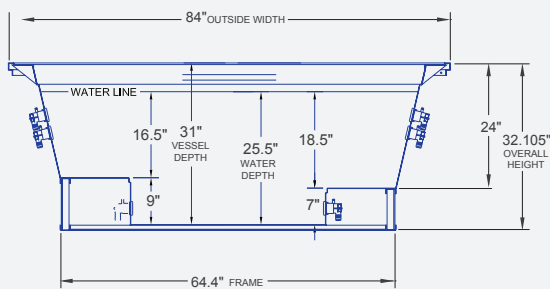
Seating	2-4 adults
Dimensions	84" x 66.5" x 32.105"
Shell Material	316L stainless steel (all stainless & tile trim); 304 stainless steel (full tile)
Capacity	330 gallons
Weight	770 lbs. dry; 3506 lbs. filled (tile trim model with equipment mounted)
Frame	Built-in integral 304 stainless steel
Shell Insulation	High density urethane foam
Jets	14 adjustable therapy jets
Steps	No steps
Seats	13.5" wide bench seats on 2 sides
Lighting	Low voltage underwater color wheel light
Spa Cover	Deluxe insulated spa cover (excluded from shell only purchase)
Finish Options	Tile trim: tile on floor; seats, steps, waterline & top lip; stainless steel walls Stainless steel: non-directional buff finish on entire interior Full tile: entirely tiled surface
Frame Mounted	BRD-155 Control or Similar (1 power supply) 1 pump system (2 hp, 2 speed) w/ 5.5 kw heater=40 amp GFI service 240V, 4 wire (2 hot, 1 neutral, 1 ground) to control circuit
Heater Options	5.5 kw heater=30 amp GFI service-240V, 3 wire (2 hot, 1 ground) to heater Gas=15 amp GFI service 120V, 3 wire (1 hot, 1 neutral, 1 ground) to heater
Control System	Push button digital control panel
Certifications	IAPMO certified VGBA compliant AWS certified welding
Warranty	25 year structural stainless steel shell 5 year tile adhesion with approved tile 1 year plumbing 1 year electrical

ADDITIONAL OPTIONS

Ask Bradford about customizing your spa with one or many of our unique extras:

- Waterfalls
- Automatic Covers
- Infinity Edges
- Specialty Seating
- Power Shower
- In-Spa Loungers
- Handrails
- Air Blowers
- LED Color Lights
- Custom Finishes

Elevation and Plan Drawings



+1 800 438 1669 | 2101 ENTERPRISE DRIVE NE LELAND, NC 28451
WWW.BRADFORDSPAS.COM | INFO@BRADFORDPRODUCTS.COM

keep up with our news and updates

