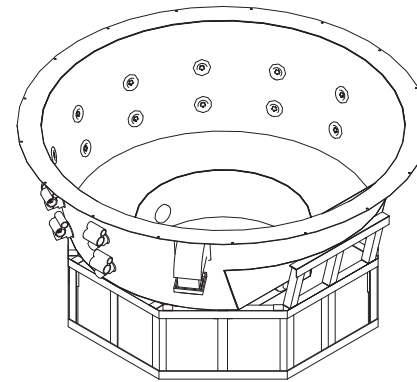
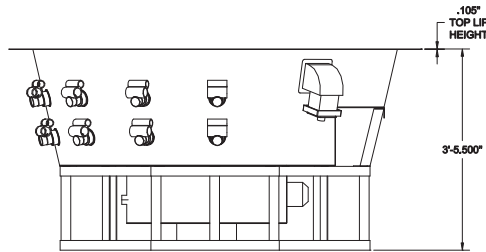


LAYOUT PLAN



ISOMETRIC VIEW



ELEVATION

WATER SURFACE AREA:
29 SQ. FT.



2101 Enterprise Dr. NE
Leland, NC 28451
www.bradfordproducts.com
1 800 438 1669

"America's Manufacturer of
Stainless Steel Aquatic
Vessels"

PROJECT TITLE
**7' ROUND
RESIDENTIAL SPA**

THIS DRAWING IS THE SOLE
PROPERTY OF BRADFORD
PRODUCTS, L.L.C. IT MAY
NOT BE TRANSMITTED OR
REPRODUCED WITHOUT
WRITTEN PERMISSION FROM
BRADFORD PRODUCTS.

REVISIONS/CHANGES			
LVL.	DATE	DESCR	BY

CONSULTANTS

PROJECT

TITLE

CUSTOMER

CODE FOLLOWED

CITY, STATE

PROJECT NO

DRAWN BY

DRAW DATE

CHECKED BY

SCALE

NUMBER

SEAL

SIZE
D
24x38

SHEET OF