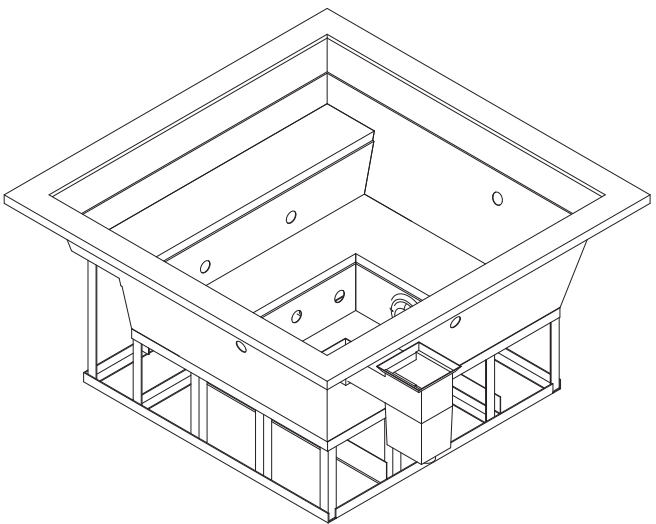
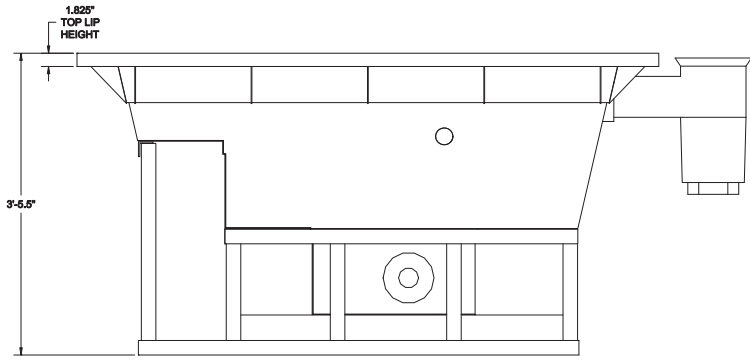


LAYOUT PLAN



ISOMETRIC VIEW



ELEVATION

**WATER SURFACE AREA:
30 SQ. FT.**



BRADFORD PRODUCTS®

2101 Enterprise Dr. NE
Leland, NC 28451
www.bradfordproducts.com
1 800 438 1669

"America's Manufacturer of
Stainless Steel Aquatic
Vessels"

**PROJECT TITLE
7'X7'
COMMERCIAL
SQUARE SPA**

Bradford Products, LLC. All Rights Reserved.
THIS DRAWING IS THE SOLE
PROPERTY OF BRADFORD
PRODUCTS, LLC. IT MAY
NOT BE TRANSMITTED OR
REPRODUCED WITHOUT
WRITTEN PERMISSION FROM
BRADFORD PRODUCTS.

REVISIONS/CHANGES

LVL.	DATE	DESCR	BY

CONSULTANTS

PROJECT

TITLE

CUSTOMER

CODE FOLLOWED

CITY, STATE

PROJECT NO

DRAWN BY

DRAW DATE

CHECKED BY

SCALE

NUMBER

SHEET

OF

SIZE
INCH **D**
24x36

SEAL