

PROJECT TITLE
**11' COMMERCIAL
POLYGONAL
SPA**

Bradford Products, LLC All Rights Reserved
THIS DRAWING IS THE SOLE
PROPERTY OF BRADFORD
PRODUCTS, LLC. IT MAY
NOT BE TRANSMITTED OR
REPRODUCED WITHOUT
WRITTEN PERMISSION FROM
BRADFORD PRODUCTS.

REVISIONS/CHANGES			
LVL.	DATE	DESCR.	BY

CONSULTANTS

PROJECT

TITLE

CUSTOMER

CODE FOLLOWED

CITY, STATE

PROJECT NO

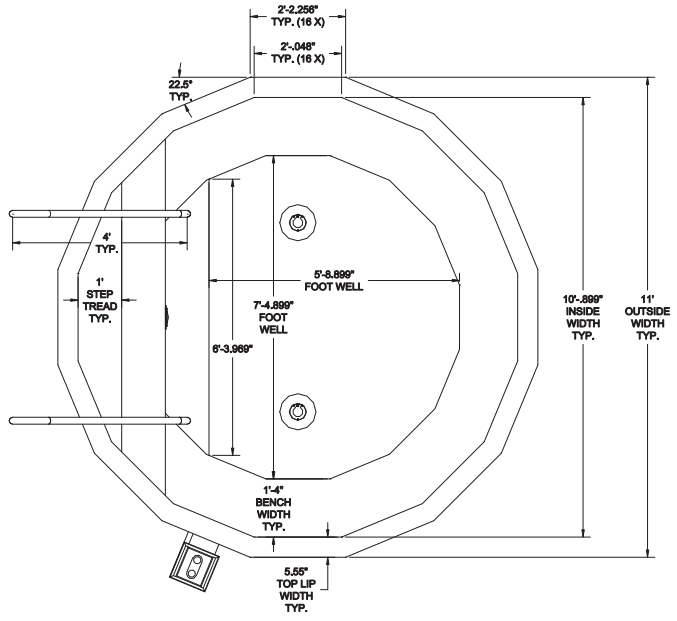
DRAWN BY

DRAW DATE

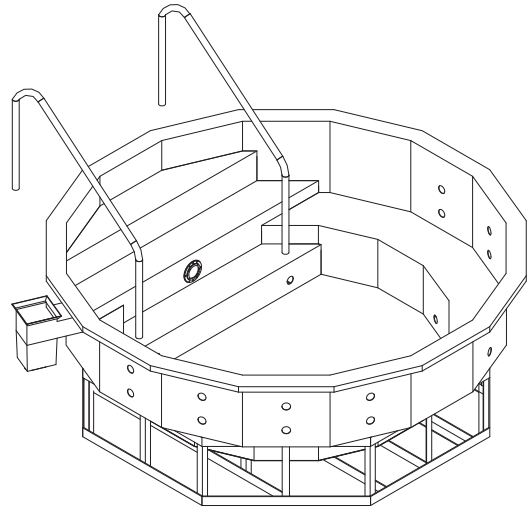
CHECKED BY

NUMBER

SHEET OF

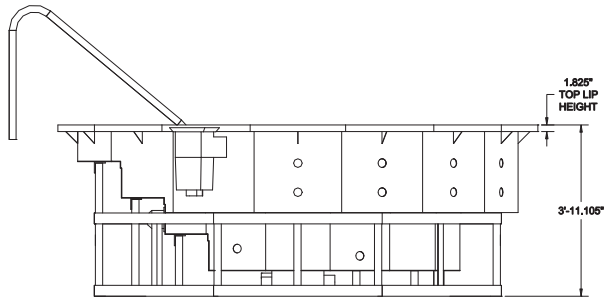


LAYOUT PLAN



ISOMETRIC VIEW

WATER SURFACE AREA:
80 SQ. FT.



ELEVATION

SEAL

SIZE
INCH
D
24x36