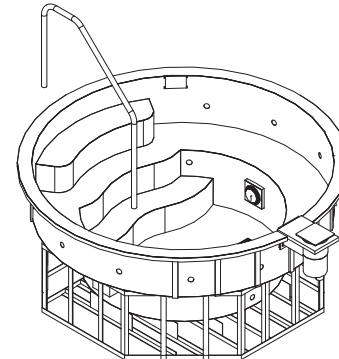
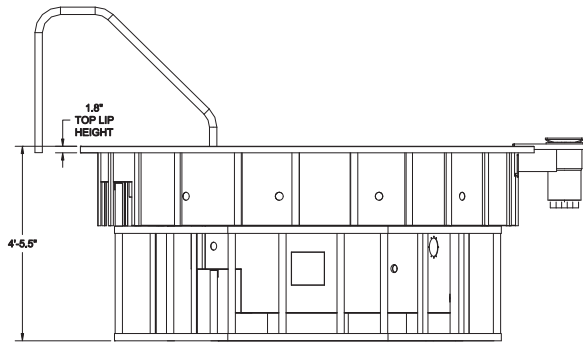


LAYOUT PLAN



ISOMETRIC VIEW



ELEVATION

WATER SURFACE AREA:
70 SQ. FT.



**BRADFORD
PRODUCTS®**

2101 Enterprise Dr. NE
Leland, NC 28451
www.bradfordproducts.com
1 800 438 1669

"America's Manufacturer of
Stainless Steel Aquatic
Vessels"

PROJECT TITLE
**10' ROUND
COMMERCIAL
SPA**

© 2009 Bradford Products, LLC. All Rights Reserved.
THIS DRAWING IS THE SOLE
PROPERTY OF BRADFORD
PRODUCTS, LLC. IT MAY
NOT BE TRANSMITTED OR
REPRODUCED WITHOUT
WRITTEN PERMISSION FROM
BRADFORD PRODUCTS.

REVISIONS/CHANGES			
LVL.	DATE	DESCR.	BY

CONSULTANTS

PROJECT

TITLE

CUSTOMER

CODE FOLLOWED

CITY, STATE

PROJECT NO

DRAWN BY

DRAW DATE

CHECKED BY

SCALE

NUMBER

SHEET OF

SEAL
SIZE
D
INCH
24x38