



**BRADFORD
PRODUCTS®**

2101 Enterprise Dr. NE
Leland, NC 28451
www.bradfordproducts.com
1 800 438 1669

"America's Manufacturer of
Stainless Steel Aquatic
Vessels"

PROJECT TITLE
**10'X7' ELONGATED
OCTAGONAL SPA
W/ KEYHOLE
ENTRY**

© Bradford Products, LLC. All Rights Reserved.
**THIS DRAWING IS THE SOLE
PROPERTY OF BRADFORD
PRODUCTS, LLC. IT MAY
NOT BE TRANSMITTED OR
REPRODUCED WITHOUT
WRITTEN PERMISSION FROM
BRADFORD PRODUCTS.**

REVISIONS/CHANGES

LVL.	DATE	DESCR.	BY

CONSULTANTS

PROJECT

TITLE

CUSTOMER

CODE FOLLOWED

CITY, STATE

PROJECT NO

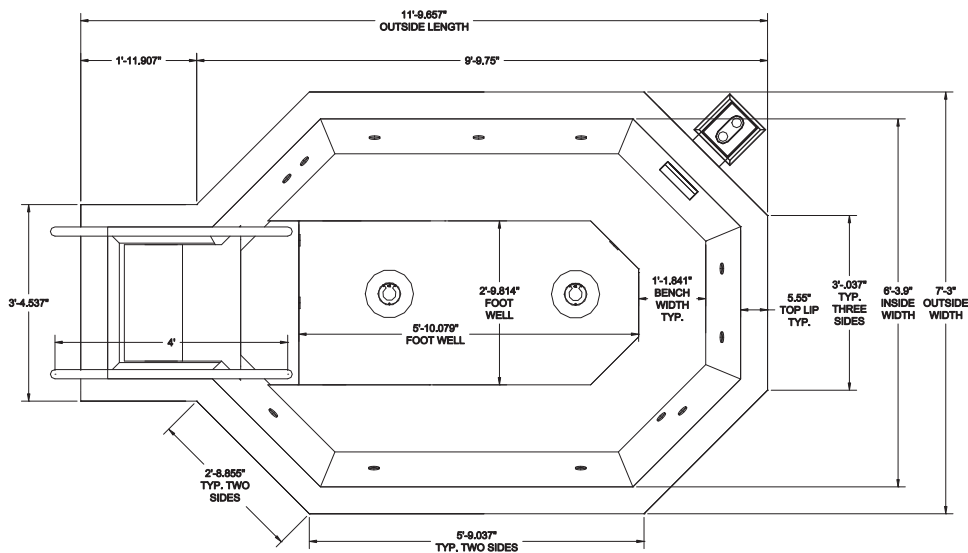
DRAWN BY

DRAW DATE

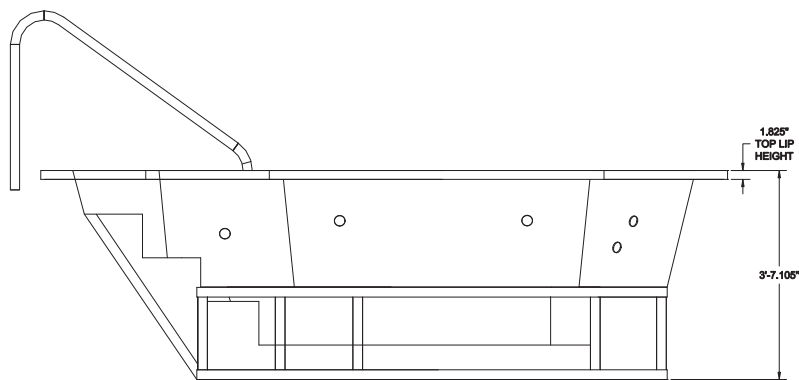
CHECKED BY

NUMBER

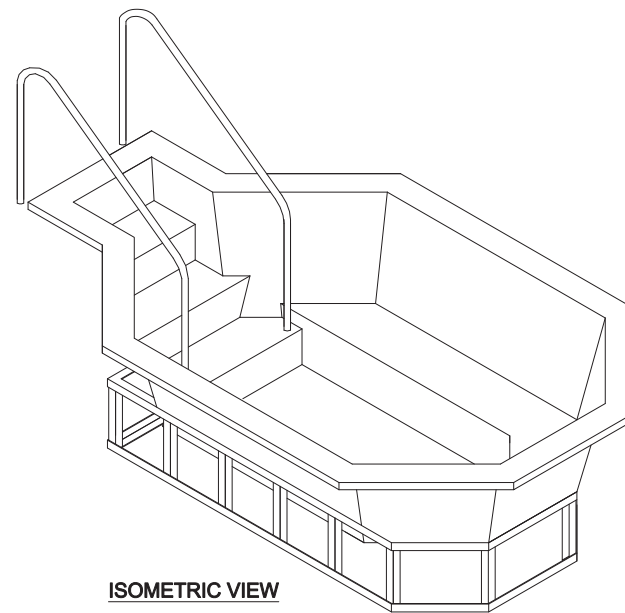
SHEET OF



LAYOUT PLAN



ELEVATION



**WATER SURFACE AREA:
55 SQ. FT.**

SIZE
INCH
D
24x36

SEAL